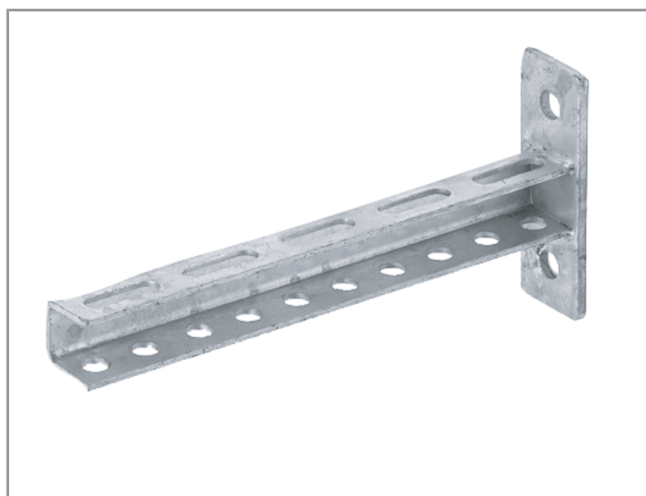


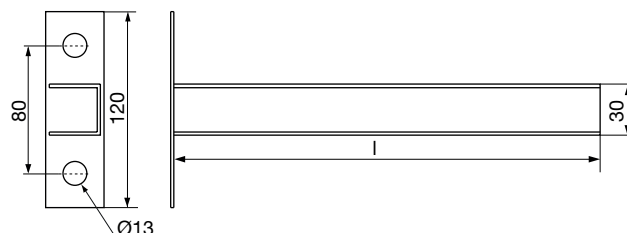
Duct suspension

CL



Dimensions

Hole in profile arm: Round hole = \varnothing 11 mm, c/c 25 mm.
Slot hole = 11x36 mm, c/c 50 mm



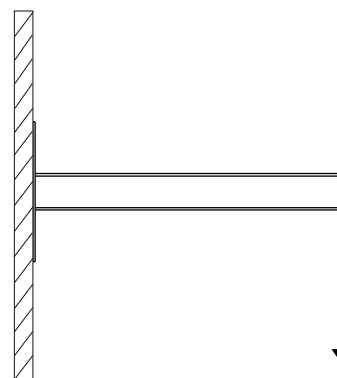
Description

Material: Hot dipped galvanized.

To be fixed on walls as an assembly profile.

Length [mm]	m [kg]	Max load at end point [kg]
150	0,40	100
200	0,50	100
250	0,58	75
300	0,66	75
400	0,82	50
500	1,00	35
600	1,20	20

Max load at end point



Order code

Product	CL
Length l	200

Order example: CL-200