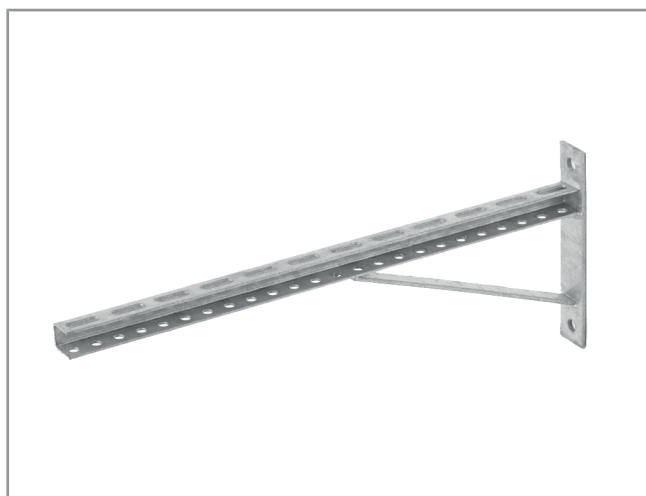


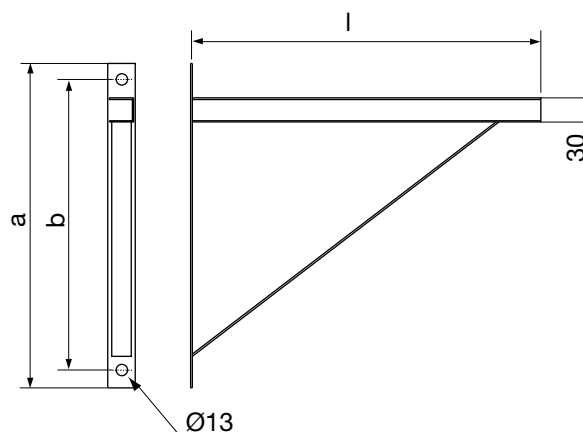
Duct suspension

CLS



Dimensions

Hole in profile arm: Round hole = \varnothing 11 mm, c/c 25 mm.
Slot hole = 11x36 mm, c/c 50 mm



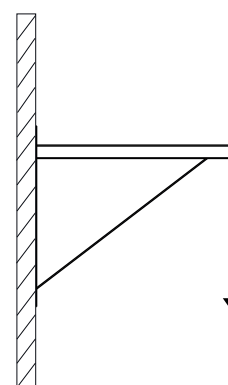
Description

Material: Hot dipped galvanized.

To be fixed on walls as an assembly profile. The diagonal support bar makes it suitable for heavy loads.

Length [mm]	a [mm]	b [mm]	m [kg]	Max load at end point [kg]
250	200	160	0,84	150
300	200	160	0,94	150
400	200	160	1,13	150
500	200	160	1,32	125
600	200	160	1,50	125
800	345	305	2,20	100
1000	345	305	2,55	80
1300	345	305	3,10	50

Max. load at end point



Order code

Product	CLS
Length l	600

Order example: CLS-600