

Valve

KIR



Description

Valve for supply air.
Designed for ceiling mounting.
Equipped with a removable blanking-off sector plate for preventing the airflow in a desired direction.
Bayonet holders connect to socket VRGU, VRGL or VRGM.

Maintenance

The visible parts can be wiped with a damp cloth.

Materials and finish

Material

Coated galvanized sheet metal.

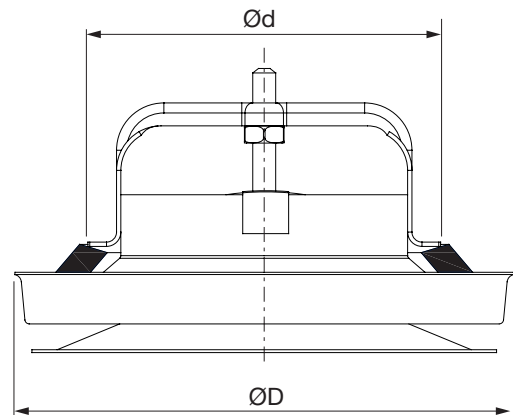
Colour

White RAL 9003, gloss 30 or white RAL 9010 gloss 30.

Ordering example

Product	KIR	100
Dimension Ød		

Dimensions



Ød nom	ØD [mm]	m [kg]
100	138	0,29
125	175	0,43
160	214	0,59

Technical data

For technical data go to [LindQST calculator](#).